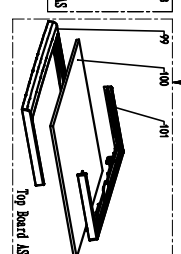
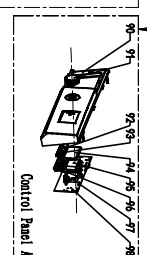
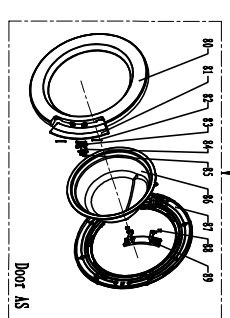
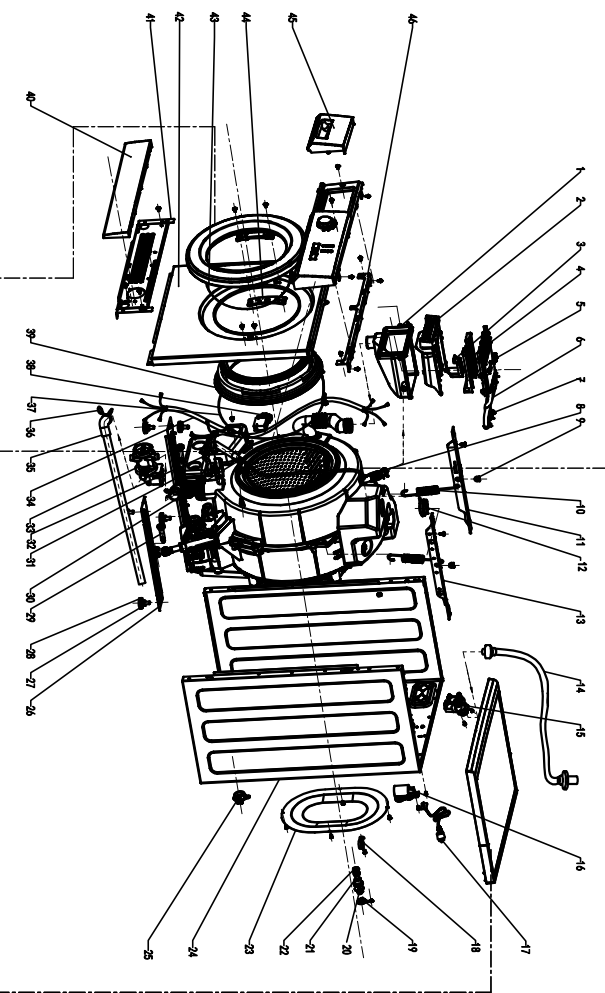
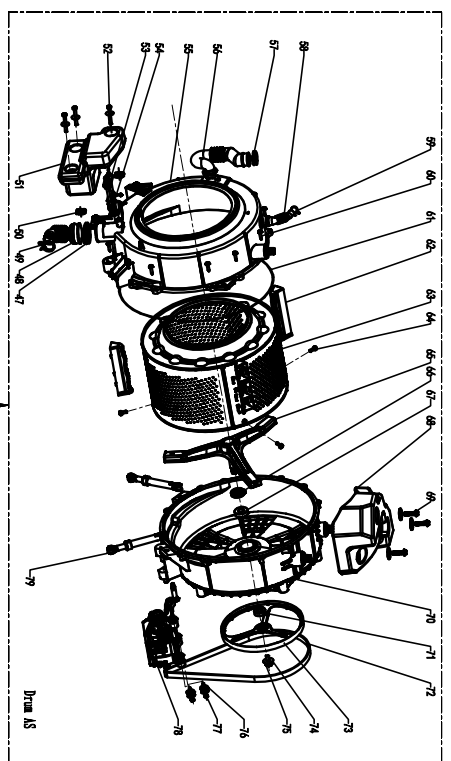


(19) 0 7000200/07



No.	Code	Name	Q'ty	Material	No.	Code	Q'ty	Material	No.	Code	Q'ty	Material
112	XK3090A.2-3 (0857)	rear frame	1	HIPS	45	XK100720B.6.1-3(0858)	1	HIPS	56	XK3090A.7-3(1077)	1	EPDM
111	XK3090A.2-1(1077)	top board	1	LIBER BOARD	44	XK3090A.5-2(1077)	1	HIPS	55	XK3090A.7.2-1(1081)	1	PP
110	XK100720.1.2-2	Front Frame	1	HIPS	43	XK100720.7-10	1	HIPS	54	XK100720.1.2-2	1	PP
109	XK3090A.8-2(0853)	PGS	1	PP	42	XK40722E.1-3(0829)	1	PP	53	XK3090A.8-2(0853)	1	AS
108	XK100720.1.2-3	PGS	1	PP	41	XK100720.7-10	1	PP	52	XK100720.1.2-3	1	AS
107	XK3090A.7-4(1077)	Lower Support	1	AS	40	XK3090A.4-1(0853)	1	PPM	51	XK3090A.7-4(1077)	1	PP
106	XK100720.7.2-3	Lower Support	1	AS	39	XK3090A.7-1(1077)	1	PP	50	XK100720.7.2-3	1	PP
105	XK101-09	door clamp 70	1	PP	38	XK40722E.1-3(0829)	1	PP	49	XK101-09	1	PP
104	XK3090A.7-4(1077)	door clamp 70	1	PP	37	XK100720.9.2-4	1	HIPS	48	XK3090A.7-4(1077)	1	PP
103	XK101-09	door clamp 70	1	PP	36	XK100720.7-11	1	HIPS	47	XK101-09	1	PP
102	XK100720E.1-1(0414)	upper frame	1	PP	35	XK100720E.3.1-1(0914)	1	HIPS	46	XK100720E.1-1(0414)	1	PP
101	XK3090A.2-3 (0857)	rear frame	1	HIPS	34	XK3090A.8-1(0853)	1	HIPS	45	XK3090A.2-3 (0857)	1	HIPS
100	XK3090A.2-1(1077)	top board	1	LIBER BOARD	33	XK020-13	1	PP	44	XK3090A.2-1(1077)	1	PP
99	XK3090A.2-3(0858)	Front Frame	1	HIPS	32	XK01-15	1	PP	43	XK3090A.2-3(0858)	1	PP
98	XK100720E.3-8(0914)	PGS	1	PP	31	XK3090A.1.1-1(1077)	1	PP	42	XK100720E.3-8(0914)	1	PP
97	XK3090A.3-6(1003)	Straw Support	1	AS	30	XK3090A.9-2(1077)	1	PP	41	XK3090A.3-6(1003)	1	PP
96	XK3090A.3-6(1003)	Straw Support	1	AS	29	XK2090A.7-13(1077)	1	PP	40	XK3090A.3-6(1003)	1	PP
95	XK3090A.3-7(1043)	LED Screen	1	PP	28	XK01-04	1	PP	39	XK3090A.3-7(1043)	1	PP
94	XK3090A.3-5(1003)	Diagray Panel	1	PC	27	GE17070-2000	1	PP	38	XK3090A.3-5(1003)	1	PP
93	XK3090A.3.1-1(0914)	Button 1	1	HIPS	26	XK3090A.1.1-1(0914)	1	PP	37	XK3090A.3.1-1(0914)	1	PP
92	XK3090A.3-3(0894)	Button 2	1	HIPS	25	XK3090A.1.1-1(0914)	1	PP	36	XK3090A.3-3(0894)	1	PP
91	XK3090A.3-1(0914)	Knob	1	HIPS	24	XK07070-2000	1	PP	35	XK3090A.3-1(0914)	1	PP
90	XK3090A.2-3(1077)	Control Panel	1	HIPS	23	XK3090A.9-2(1077)	1	PP	34	XK3090A.2-3(1077)	1	PP
89	XK3090A.2-3(1077)	Door Hinge	2	PPM	22	XK3090A.9-2(1077)	1	PP	33	XK3090A.2-3(1077)	1	PP
88	XK100720.8-2	Hinge Cap	2	PPM	21	XK3090A.9-2(1077)	1	PP	32	XK100720.8-2	1	PP
87	XK100720.8-5	Door (Inner)	1	PP	20	XK3090A.9-2(1077)	1	PP	31	XK100720.8-5	1	PP
86	XK100720.8-5	Door Glass	1	Glass	19	XK3090A.9-2(1077)	1	PP	30	XK100720.8-5	1	PP
85	XK100720E.3-7(0853)	Door Hook	1	AS	18	XK3090A.9-2(1077)	1	PP	29	XK100720E.3-7(0853)	1	PP
84	XK100720E.3-9(0853)	Handle Spring	1	AS	17	XK05-21	1	PP	28	XK100720E.3-9(0853)	1	PP
83	XK100720E.3-10(0853)	Door Book Support	1	PPM	16	XK3090A.8-2(1077)	1	PP	27	XK100720E.3-10(0853)	1	PP
82	XK100720E.3-10(0853)	Handle Pin	3	45#	15	XK02-01	1	PP	26	XK100720E.3-10(0853)	1	PP
81	XK100720E.3-10(0853)	Door Handle	1	HIPS	14	XK03-04	1	PP	25	XK100720E.3-10(0853)	1	PP
80	XK100720E.5-6(0853)	Door Outer Frame	1	HIPS	13	XK3090A.1.1-3(1077)	1	PP	24	XK100720E.5-6(0853)	1	PP
79	XK3090A.7-12(1077)	Door Inner Frame	2	AS	12	XK05-21	1	PP	23	XK3090A.7-12(1077)	1	PP
78	XK04-33	rotary motor	1	AS	11	XK05-21	1	PP	22	XK04-33	1	PP
77	XK1001-13	ball AS	2	AS	10	XK3090A.9-2(1077)	1	PP	21	XK1001-13	1	PP
76	XK10001.2-3-6	tubular frame 1	5	EPDM	9	XK03-22	1	PP	20	XK10001.2-3-6	1	PP
75	GE17389-1988	ball M10	1	GE25-3	8	XK3090A.9-2(1077)	1	PP	19	GE17389-1988	1	PP
74	GE17389 10	washer	1	GE25-3	7	XK07-01	1	PP	18	GE17389 10	1	PP
73	XK3090A.7-6(1083)	Ball Bearing	1	AL(OA12)	6	XK07-01	1	PP	17	XK3090A.7-6(1083)	1	PP
72	XK100720.8-2	Ball	1	FIBRE	5	XK3090A.8-2(1077)	1	PP	16	XK100720.8-2	1	PP
71	GE25-28Z/C3	Ball Bearing	1	AS	4	XK02-01	1	PP	15	GE25-28Z/C3	1	PP
70	XK3090A.1.3.2(1081)	Roll TIR ASSEMBLY	1	AS	3	XK03-04	1	PP	14	XK3090A.1.3.2(1081)	1	PP
69	XK100720.2	ROLL AS	3	AS	13	XK3090A.1.1-3(1077)	1	PP	13	XK100720.2	1	PP
68	XK3090A.2-1(0853)	upper balancer	1	Corrected PP	12	XK03-05	1	PP	12	XK3090A.2-1(0853)	1	PP
67	GE25-28Z/C3	Ball Bearing	1	AS	11	XK3090A.1.1-2(1077)	1	PP	11	GE25-28Z/C3	1	PP
66	XK3090A.1-3-1(0843)	shoft seal	1	AS	10	XK3090A.1-1(0843)	1	PP	10	XK3090A.1-3-1(0843)	1	PP
65	XK3090A.1.1-3(1081)	drum spider	1	AL(OA12)	9	XK06-1-8	1	PP	9	XK3090A.1.1-3(1081)	1	PP
64	XK03-10	ROLL	3	SS304	8	XK01-09	1	PP	8	XK03-10	1	PP
63	XK3090A.7.1.1(1077)	INNER DRUM ASSM	1	AS	7	XK01-20	1	PP	7	XK3090A.7.1.1(1077)	1	PP
62	XK3090A.7.1-1(0853)	liner	1	PP	6	XK3090A.6.2-3(1077)	1	PP	6	XK3090A.7.1-1(0853)	1	PP
61	XK3090A.7-14(1077)	tub seal	1	EPDM	5	XK3090A.6.2-3(1077)	1	PP	5	XK3090A.7-14(1077)	1	PP
60	GE1718281-2-1917	ball	12	PP FIBRE	4	XK3090A.6.2-1(1077)	1	PP	4	GE1718281-2-1917	1	PP
59	XK101-13	base clamp 20	1	606#	3	XK3090A.6.1-2(1077)	1	PP	3	XK101-13	1	PP
58	XK3090A.7-2(1077)	exhaust hose	1	EPDM	2	XK3090A.6.1-1(1077)	1	PP	2	XK3090A.7-2(1077)	1	PP
57	XK101-18	base clamp 43	1	606#	1	XK3090A.6.2-1(1077)	1	PP	1	XK101-18	1	PP

XQG70-012DB  
Exploded View  
Code: XQ7000DE 0(961)

Material:

中山格兰仕日用电器有限公司